

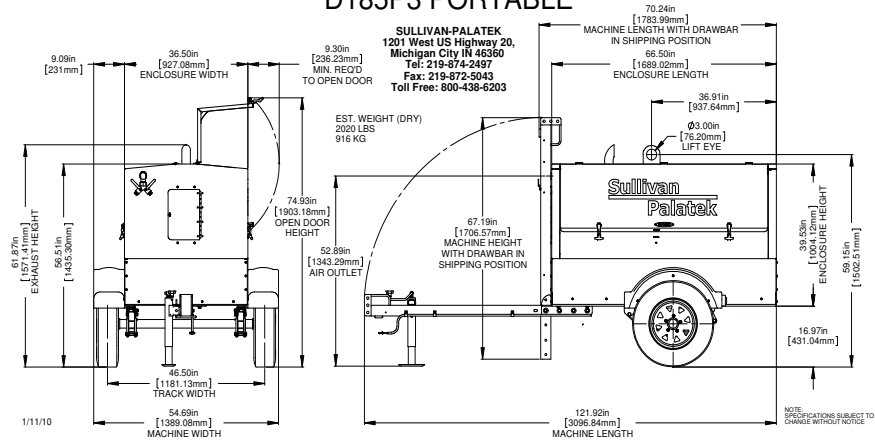
D185P3JD & D185P3CA



FlexAir

- Large, 108 mm Diameter Twin Screw Air End
- Exclusive Three Year Warranty
- Automatic 0 to 100% Capacity Control
- Two Stage Dry Type Air Filter
- Multiple Service Connections
- Oil Level Sight Glass
- Side by Side Coolers for Compressor and Engine
- Caterpillar or John Deere Engine
- 21 Gallon Fuel Tank
- Safety Chains
- 13” Wheels & Tires
- Choice of Adjustable Height Lunnette Eye or Optional Ball Hitch on Drawbar
- Noise Level Limited to Maximum of 76dBA at 7 Meters
- Gull-Wing Doors for Superior access to Components
- Heavy Duty Lifting Eye
- Automatic Shutdown and Protection System
- Automatic Blowdown Valve
- Stop, Turn, Tail Lights
- Unloaded Starting
- Standard Instrumentation
 - Alternator Light
 - Discharge Pressure Gauge
 - Hourmeter
- Space Saving Flip Up Towbar
- For Optional Equipment
 - Consult Factor

D185P3 PORTABLE



COMPRESSOR

D185P3JD

D185P3CA

Type	Single Stage, oil flooded rotary screw	Single Stage, oil flooded rotary screw
Ambient Oper. Temp. Range	-20° to +125°F (-29° to +52°C)	-20° to +125°F (-29° to +52°C)
Oil Capacity	5.5 gal. (21 L)	5.5 gal. (21 L)
Total Receiver Volume	1.7 ft. ³ (48 L)	1.7 ft. ³ (48 L)
Air Service Connections	Two 3/4" NPT	Two 3/4" NPT
Type Cooling System	Oil to Air	Oil to Air
Type Air Intake System	Two Stage Dry	Two Stage Dry
Type of Control	0-100% Demand	0-100% Demand
Tire Size	175/80D13	175/80D13
Rated Delivery	185 cfm (5.2 m ³ /min)	185 cfm (5.2 m ³ /min)
Rated Operating Pressure	100 psig (700kPa)	100 psig (700kPa)
Operating Pressure Range	70-125 psig (480-860 kPa)	70-125 psig (480-860 kPa)
Estimated Weight, Serviced	1900 lbs	1900 lbs

ENGINE

D185P3JD

D185P3CA

Type	Diesel	Diesel
Make	John Deere	CAT
Model	4024TF TIER 4 INT.	C2.2T Tier 4 Int
Number of Cylinders	4	4
Bore and Stroke	3.39" x 4.13" (86 x 105mm)	3.3" x 3.9" (84 x 100mm)
Displacement	149 cu. in ³ (2.4 L)	135 in ³ (2.2 L)
Total Oil Capacity	8.5 qts (8 L)	11.2 qts (10.6 L)
Cooling System Capacity	14 qts (13.2 L)	14 qts (13.2 L)
Battery Rating	12 Volts	12 Volts
CCA @ 0°F	750 Amps	750 Amps
Idle Speed	1650 RPM	1650 RPM
Fuel Tank Capacity	21 gal (79.5 L)	21 gal (79.5 L)
Horsepower @ rated RPM	49 (36.5kw)	49 HP
Full Load Speed	2650 RPM	2660 RPM